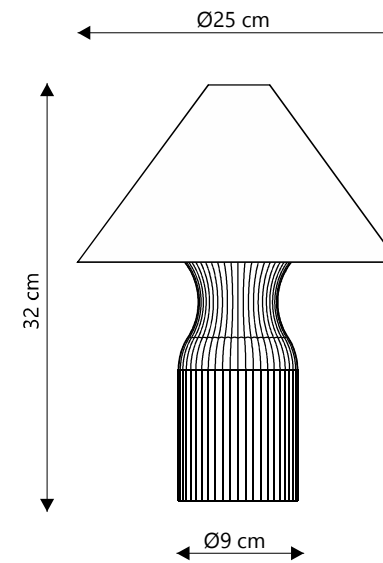


SMART TABLE

Minimalist and creating trend, fresh and young, it adapts to any style, the Smart Series has been designed from recycled material of plant origin, we are very proud of the path taken in the fight against preserving the environment.



SMART TABLE

Technical features

Light bulb:	1 x E27 MAX 6W LED
Includes bulb:	Yes
Driver:	
Includes driver:	No
Voltage:	240V
Operating frequency:	50/60Hz
IP:	20
Class:	II
Material:	PLA / Glass
Designer:	XJER STUDIO
Recommended bulb:	1 x E27 6W LED
Weight:	0,4 Kg / 0,88 lb

References

Kit references:	Color:	Shade
PUSF121014	Silver	Acustica lana 40 - Bulb 125mm included
PUSF121018	Purple	Acustica lana 40 - Bulb 125mm included
PUSF121020	Dark Green	Acustica lana 40 - Bulb 125mm included
PUSF121514	Silver	Mars - Bulb 125mm included
PUSF121518	Purple	Mars - Bulb 125mm included
PUSF121520	Dark Green	Mars - Bulb 125mm included

10.21

Regulations:

CE - 2014/30/UE - 2014/35/UE - 2009/125/CE - 874/2012 - 2011/65/UE

Maintenance:

Clean with a smooth cloth. Do not use ammonia, solvents or abrasive cleaning products.



The technical information may be modified at any time without prior notice. We protect intellectual property

aklarat S.L. - B67519447 - C/ Estrella 5 Local 3 - 08170 Montornés del Vallés - Barcelona / hello@aclarialighting.com